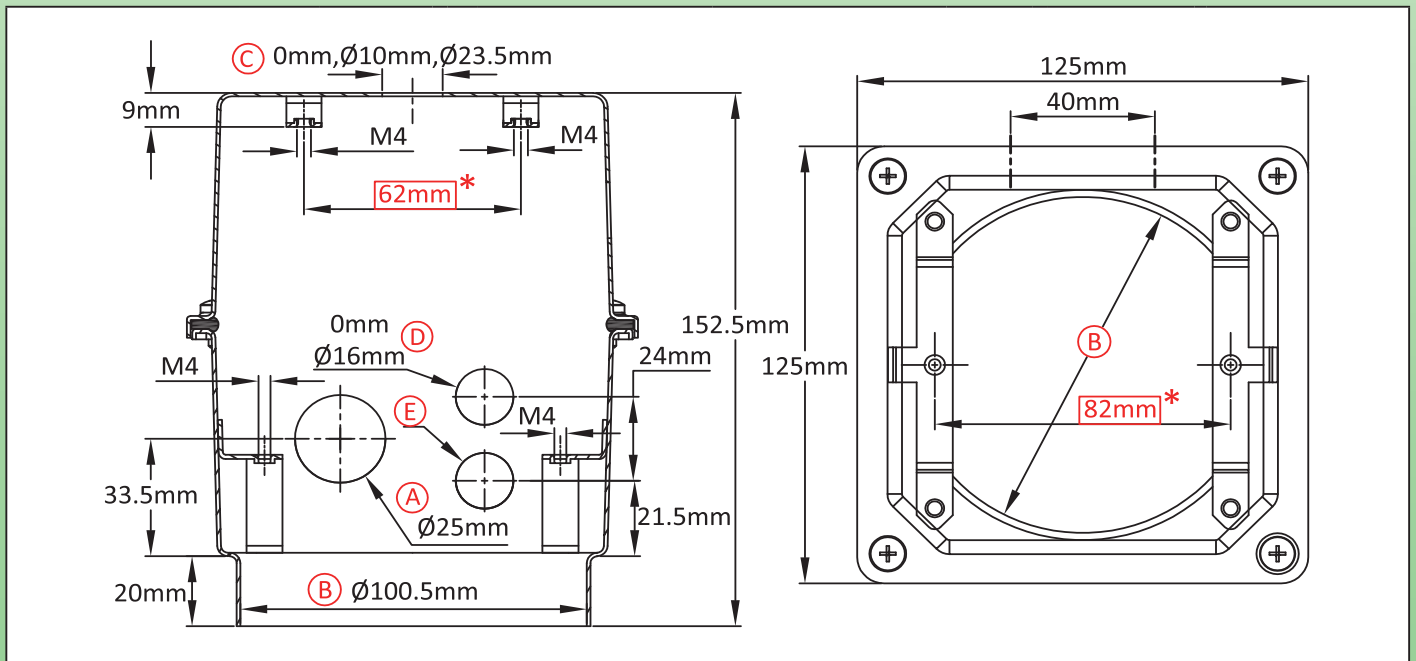


Big size immersion heater or controls enclosure, for direct welding on pipes

Size(mm)	Volume(cm ³)	Material	Protection grade		Model
125 × 125 × 135	1668	stainless steel	IP69K	IK7	Y3TA

Suitable for
<input type="checkbox"/> Temperature sensor
<input checked="" type="checkbox"/> Immersion heater
<input type="checkbox"/> Finned heater
<input checked="" type="checkbox"/> Thermostat
<input type="checkbox"/> Level sensor
<input checked="" type="checkbox"/> Electronic board



Main references

(A)(mm)	(B)(mm)	(C)(mm)	(D)(mm)	(E)(mm)	304	316
25	100.5	0	16	16	Y3TAA0503S3G1008	Y3TAA0503S3G1009
25	100.5	10	16	16	Y3TAA05A3S3G1008	Y3TAA05A3S3G1009
25	100.5	23.5	16	16	Y3TAA05D3S3G1008	Y3TAA05D3S3G1009
25	100.5	0	0	16	Y3TAA0502C5G1008	Y3TAA0502C5G1009
25	100.5	10	0	16	Y3TAA05A2C5G1008	Y3TAA05A2C5G1009
25	100.5	23.5	0	16	Y3TAA05D2C5G1008	Y3TAA05D2C5G1009
25	100.5	0	0	0	Y3TAA050125G1008	Y3TAA050125G1009
25	100.5	10	0	0	Y3TAA05A125G1008	Y3TAA05A125G1009
25	100.5	23.5	0	0	Y3TAA05D125G1008	Y3TAA05D125G1009

Links

	Page (.pdf)
	Drawing 2D (.dwg)
	Drawing 3D (.stp)

Cable gland not included in these reference, consult us if you want them.

Red dimensions inside rectangular frames are used for accessories assembly.

